

Byram Pulse Transmitter (BPT)



Available for new construction and retrofit applications, The Pulse Transmitter from Byram Laboratories, Inc. is a compact, low cost, programmable transmitter designed to accept relatively fast, un-scaled, raw pulses from devices such as: Flow sensors, BTU meters, electric, gas, water meters, portable kWh meters, instrumentation and process applications. This utility grade transmitter is used in many applications, such as: monitoring and targeting leakage, pressure and consumption.

Pulse Transmitter Application

The Transmitter counts pulses from meter-head or reed switch type output utility meters (e.g. electricity and water). The transmit or "chirp" consists of a secure data packet along with a status and unique ID address at regular intervals (various transmission times available).

The transmitter can send data directly into customer specific FTP or use Byram's online service. Byram's secure web based portal collects the received data to be processed and displayed.

Key Features

- Unlicensed frequency hopping spread spectrum (FHSS) RF technology
- 902 MHz to 928MHz communication range
- Compliant with FCC Rules, Part 15 and Industry Canada RSS-210
- Temperature range of -31°F to +140°F
- Housing meets IP68
- Multiple operation mode:
 - fixed network
 - hybrid (mobile/fixed)
- Designed for wall mounting
- General purpose ABS plastic (material carries a UL flammability rating of UL94 HB)
- Gasket lid with two piece "tongue & groove" construction, resistant to access of oil, dust and water
- Designed to meet IP 67 & NEMA 4, 4X, 12 & 13 ratings
- 4 ft. cable length

Solutions for Energy Measurement

The Byram Pulse Transmitter can be easily applied in a multitude of applications.

Central Utility Plants

- Chillers
 - * Chilled Water Flow & Energy
 - * Condenser Water Flow & Energy
 - * Steam Mass Flow
 - * Electrical Usage
- Boilers
 - * Steam Mass Flow
 - * Steam Condensate Return Flow
 - * Natural Gas & Fuel Oil Flow
 - * Safety Gas Alarming for CO & Combustibles

Parking Garages

- Carbon Monoxide Safety Systems
- Fan Control & Safety Alarm Solutions
- Alternate Fuel Vehicle Safety Solutions

Sub-Metering

- Chilled & Hot Water Flow & BTU/Energy
- HTHW or Steam Mass Flow & Energy
- Electrical Usage
- Domestic Water Flow
- Natural Gas Flow

Specifications

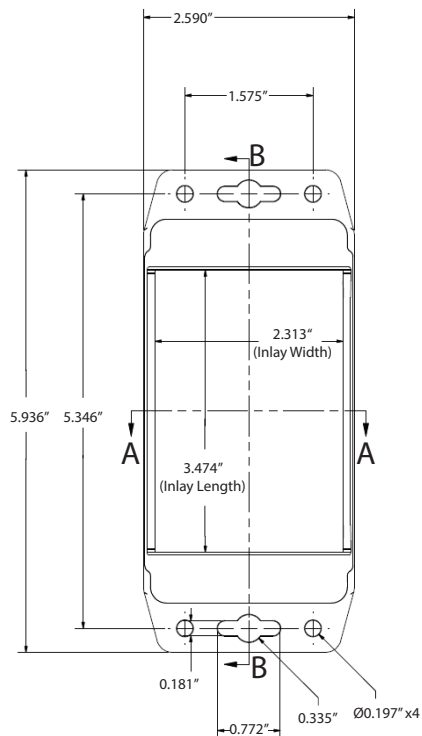
Byram Pulse Transmitter

Communication Range	902 MHz to 928 MHz
Temperature Range	-31°F to +140°F
Enclosure Material	General purpose ABS plastic

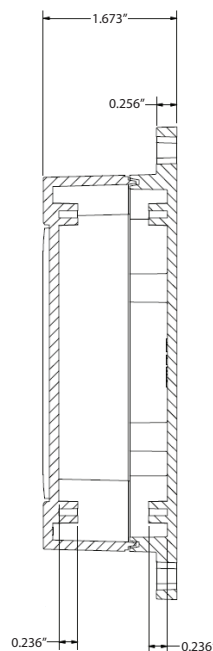
Connection Instructions

Standard register connections	Green cable	Red cable	Black cable
	Data	Power (or power/clock)	Common (ground)
Register connections for pulse (incremental) encoders	Green cable	Red cable	Black cable
	Pulse output	Tamper	Common (ground)
Power Supply	Lithium Battery (expected battery life of over 20 years)		
Width x Height x Depth	6 in. x 2.5 in x 1.5 in		
Weight	0.55 lbs		
Cable Length	4 ft.		
Ordering #	1C6974		

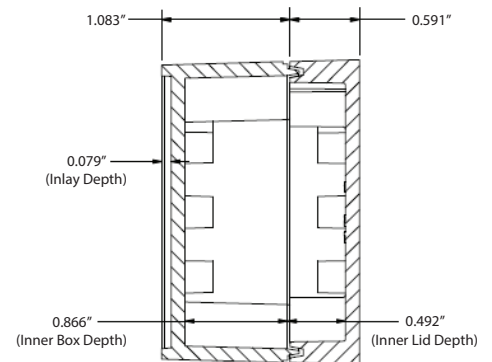
ENCLOSURE ASSEMBLY TOP VIEW



SIDE VIEW OF ASSEMBLY



END VIEW OF ASSEMBLY



Information contained herein is subject to change without notice, including product specifications. Contact your Byram representative for the most current product information. Printed in the United States.